

**SAFETY TRANSFORMERS
FOR PRINT CIRCUIT BOARDS
TECHNICAL SPECIFICATIONS**

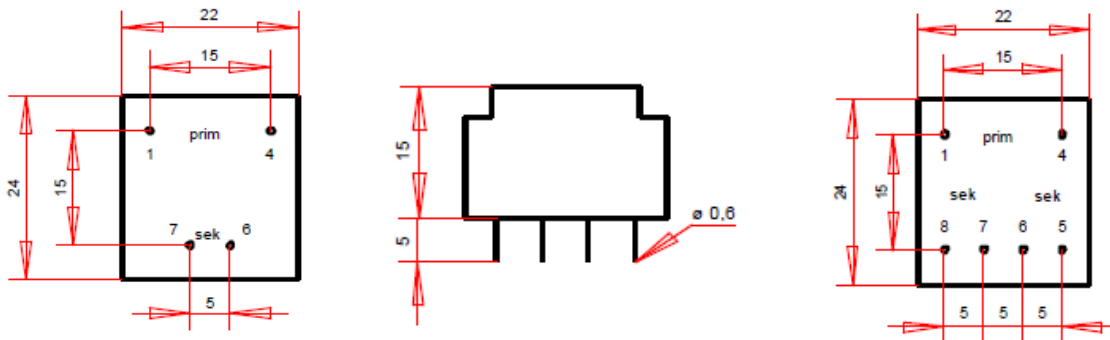
0,33 VA

- Ambient temperature $t_a = 70^\circ\text{C}$
- EN61558, VDE 0570
- vacuum potted
- inherently short circuit proof
- Primary voltage: 230 V/ 50 Hz

*If you wish any other voltages or taps please give us a call.
We prepare for you transformer according to your demand – even one single piece.*

Possibilities:

- thermal protection
- other voltages or taps
- other positions of pins



0,33 VA / 1 or 2 secondary windings; 230 V 50 Hz, pins 1-4

packing unit: 50 pcs

description	SEC [V]	SEC [mA]	pins	
STD.E020.006.1.003	3	110	6-7	0,025 kg
STD.E020.006.1.006	6	55	6-7	0,025 kg
STD.E020.006.1.009	9	36,6	6-7	0,025 kg
STD.E020.006.1.012	12	27,5	6-7	0,025 kg
STD.E020.006.1.015	15	22	6-7	0,025 kg
STD.E020.006.1.018	18	18,3	6-7	0,025 kg
STD.E020.006.1.024	24	13,6	6-7	0,025 kg
STD.E020.006.2.006	2x6	2x27,5	5-6/7-8	0,025 kg
STD.E020.006.2.007	2x7,5	2x22	5-6/7-8	0,025 kg
STD.E020.006.2.009	2x9	2x18,3	5-6/7-8	0,025 kg
STD.E020.006.2.012	2x12	2x13,7	5-6/7-8	0,025 kg
STD.E020.006.2.015	2x15	2x11	5-6/7-8	0,025 kg

**SAFETY TRANSFORMERS
FOR PRINT CIRCUIT BOARDS
TECHNICAL SPECIFICATIONS**

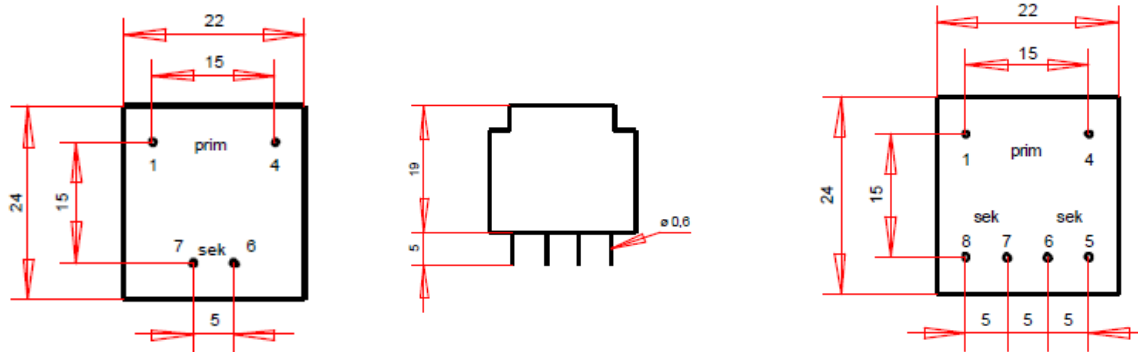
0,5 VA

- Ambient temperature $t_a = 70^\circ\text{C}$
- EN61558, VDE 0570
- vacuum potted
- inherently short circuit proof
- Primary voltage: 230 V/ 50 Hz

*If you wish any other voltages or taps please give us a call.
We prepare for you transformer according to your demand – even one single piece.*

Possibilities:

- thermal protection
- other voltages or taps
- other positions of pins



0,5 VA / 1 or 2 secondary windings; 230 V 50 Hz, pins 1-4

packing unit: 10 pcs

description	SEC [V]	SEC [mA]	pins	
STD.E020.010.1.006	6	83,3	6-7	0,038 kg
STD.E020.010.1.009	9	55,5	6-7	0,038 kg
STD.E020.010.1.012	12	41,6	6-7	0,038 kg
STD.E020.010.1.015	15	33,3	6-7	0,038 kg
STD.E020.010.1.018	18	27,7	6-7	0,038 kg
STD.E020.010.1.024	24	20,8	6-7	0,038 kg
STD.E020.010.2.006	2x6	2x41,6	5-6/7-8	0,038 kg
STD.E020.010.2.007	2x7,5	2x33,3	5-6/7-8	0,038 kg
STD.E020.010.2.009	2x9	2x27,7	5-6/7-8	0,038 kg
STD.E020.010.2.012	2x12	2x20,8	5-6/7-8	0,038 kg
STD.E020.010.2.015	2x15	2x16,6	5-6/7-8	0,038 kg

**SAFETY TRANSFORMERS
FOR PRINT CIRCUIT BOARDS
TECHNICAL SPECIFICATIONS**

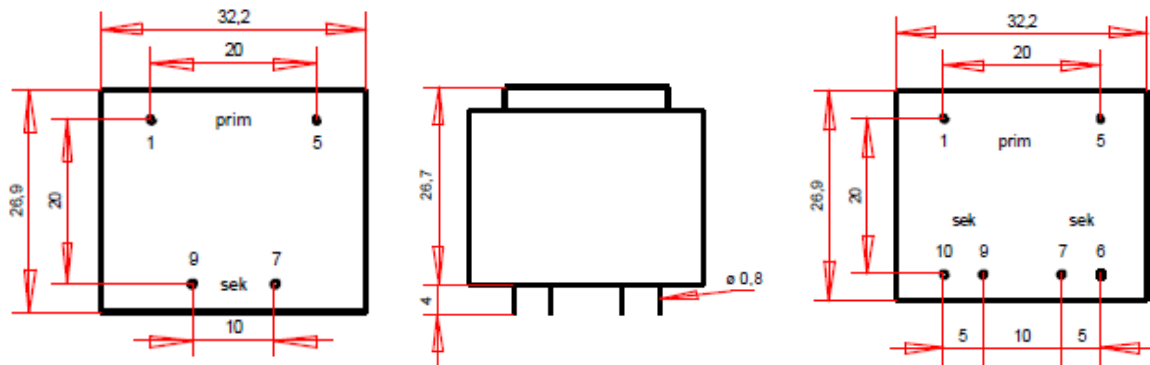
1,8 VA

- Ambient temperature $t_a = 70^\circ\text{C}$
- EN61558, VDE 0570
- vacuum potted
- inherently short circuit proof
- Primary voltage: 230 V/ 50 Hz

*If you wish any other voltages or taps please give us a call.
We prepare for you transformer according to your demand – even one single piece.*

Possibilities:

- thermal protection
- other voltages or taps
- other positions of pins



1,8 VA / 1 or 2 secondary windings; 230 V 50 Hz, pins 1-5

packing unit: 10 pcs

description	SEC [V]	SEC [mA]	pins	
STD.E030.015.1.006	6	300	7-9	0,1 kg
STD.E030.015.1.009	9	200	7-9	0,1 kg
STD.E030.015.1.012	12	150	7-9	0,1 kg
STD.E030.015.1.015	15	120	7-9	0,1 kg
STD.E030.015.1.018	18	100	7-9	0,1 kg
STD.E030.015.1.021	21	85	7-9	0,1 kg
STD.E030.015.1.024	24	75	7-9	0,1 kg
STD.E030.015.1.030	30	60	7-9	0,1 kg
STD.E030.015.2.006	2x6	2x150	6-7/9-10	0,1 kg
STD.E030.015.2.007	2x7,5	2x120	6-7/9-10	0,1 kg
STD.E030.015.2.009	2x9	2x100	6-7/9-10	0,1 kg
STD.E030.015.2.010	2x10,5	2x85	6-7/9-10	0,1 kg
STD.E030.015.2.012	2x12	2x75	6-7/9-10	0,1 kg
STD.E030.015.2.015	2x15	2x60	6-7/9-10	0,1 kg
STD.E030.015.2.018	2x18	2x50	6-7/9-10	0,1 kg
STD.E030.015.2.024	2x24	2x37	6-7/9-10	0,1 kg

**SAFETY TRANSFORMERS
FOR PRINT CIRCUIT BOARDS
TECHNICAL SPECIFICATIONS**

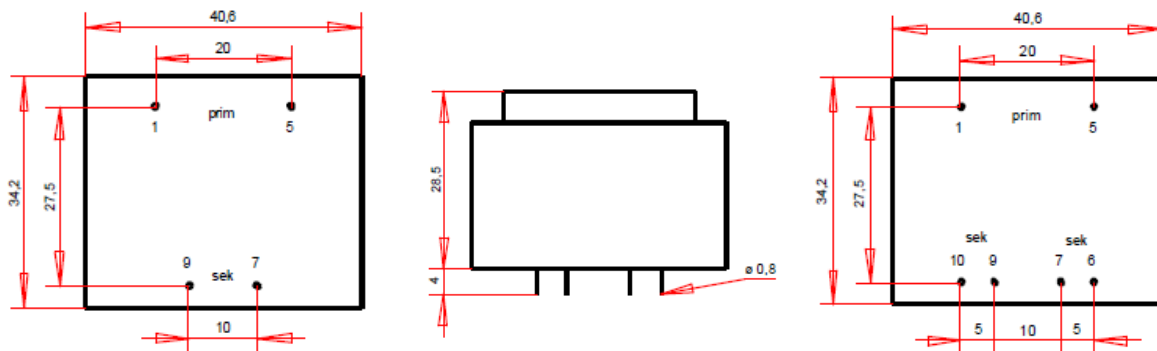
3,6 VA

- Ambient temperature $t_a = 80^\circ\text{C}$
- EN61558, VDE 0570
- vacuum potted
- inherently short circuit proof
- Primary voltage: 230 V/ 50 Hz

*If you wish any other voltages or taps please give us a call.
We prepare for you transformer according to your demand – even one single piece.*

Possibilities:

- thermal protection
- other voltages or taps
- other positions of pins



3,6 VA / 1 or 2 secondary windings; 230 V 50 Hz, pins 1-5

packing unit: 10 pcs

description	SEC [V]	SEC [mA]	pins	
STD.E038.013.1.006	6	600	7-9	0,152 kg
STD.E038.013.1.008	8	450	7-9	0,152 kg
STD.E038.013.1.009	9	400	7-9	0,152 kg
STD.E038.013.1.012	12	300	7-9	0,152 kg
STD.E038.013.1.015	15	240	7-9	0,152 kg
STD.E038.013.1.018	18	200	7-9	0,152 kg
STD.E038.013.1.024	24	150	7-9	0,152 kg
STD.E038.013.1.030	30	120	7-9	0,152 kg
STD.E038.013.2.006	2x6	2x300	6-7/9-10	0,152 kg
STD.E038.013.2.007	2x7,5	2x240	6-7/9-10	0,152 kg
STD.E038.013.2.009	2x9	2x200	6-7/9-10	0,152 kg
STD.E038.013.2.012	2x12	2x150	6-7/9-10	0,152 kg
STD.E038.013.2.015	2x15	2x120	6-7/9-10	0,152 kg
STD.E038.013.2.018	2x18	2x100	6-7/9-10	0,152 kg
STD.E038.013.2.024	2x24	2x75	6-7/9-10	0,152 kg
STD.E038.013.2.030	2x30	2x60	6-7/9-10	0,152 kg

**SAFETY TRANSFORMERS
FOR PRINT CIRCUIT BOARDS
TECHNICAL SPECIFICATIONS**

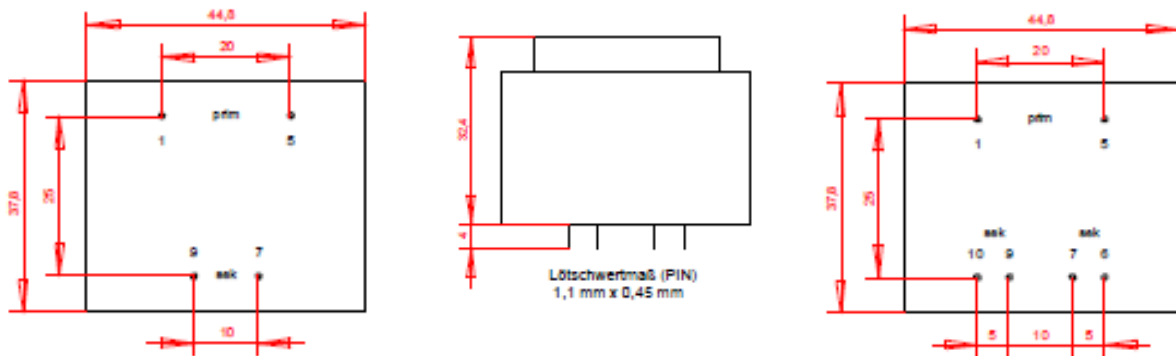
4,8 VA

- Ambient temperature $t_a = 80^\circ\text{C}$
- EN61558, VDE 0570
- vacuum potted
- inherently short circuit proof
- Primary voltage: 230 V/ 50 Hz

*If you wish any other voltages or taps please give us a call.
We prepare for you transformer according to your demand – even one single piece.*

Possibilities:

- thermal protection
- other voltages or taps
- other positions of pins



Lötschwermaß (PIN)
1,1 mm x 0,45 mm

4,8 VA / 1 or 2 secondary windings; 230 V 50 Hz, pins 1-5

packing unit: 10 pcs

description	SEC [V]	SEC [mA]	pins	
STD.E042.014.1.006	6	800	7-9	0,192 kg
STD.E042.014.1.009	9	533	7-9	0,192 kg
STD.E042.014.1.012	12	400	7-9	0,192 kg
STD.E042.014.1.015	15	320	7-9	0,192 kg
STD.E042.014.1.018	18	266	7-9	0,192 kg
STD.E042.014.1.024	24	200	7-9	0,192 kg
STD.E042.014.2.006	2x6	2x400	6-7/9-10	0,192 kg
STD.E042.014.2.007	2x7,5	2x320	6-7/9-10	0,192 kg
STD.E042.014.2.009	2x9	2x266	6-7/9-10	0,192 kg
STD.E042.014.2.012	2x12	2x200	6-7/9-10	0,192 kg
STD.E042.014.2.015	2x15	2x160	6-7/9-10	0,192 kg
STD.E042.014.2.018	2x18	2x133	6-7/9-10	0,192 kg
STD.E042.014.2.024	2x24	2x100	6-7/9-10	0,192 kg
STD.E042.014.2.030	2x30	2x80	6-7/9-10	0,192 kg

**SAFETY TRANSFORMERS
FOR PRINT CIRCUIT BOARDS
TECHNICAL SPECIFICATIONS**

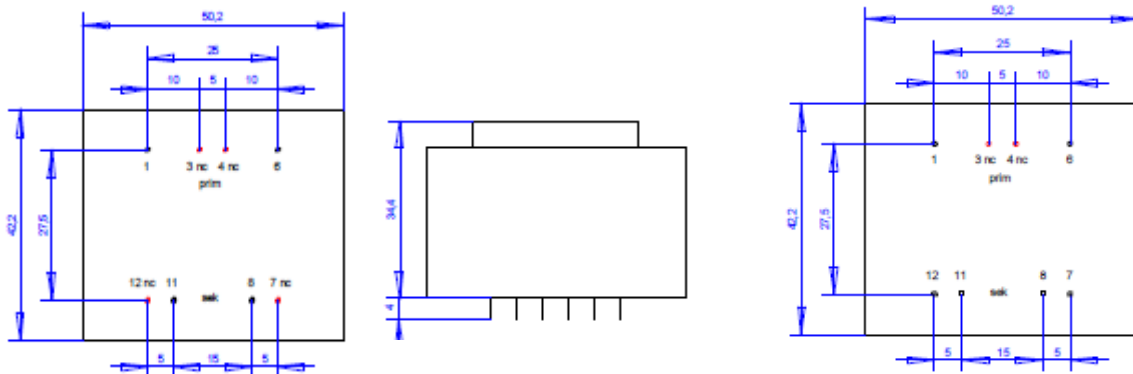
10 VA

- Ambient temperature $t_a = 70^\circ\text{C}$
- EN61558, VDE 0570
- vacuum potted
- inherently short circuit proof
- Primary voltage: 230 V/ 50 Hz

*If you wish any other voltages or taps please give us a call.
We prepare for you transformer according to your demand – even one single piece.*

Possibilities:

- thermal protection
- other voltages or taps
- other positions of pins



10 VA / 1 or 2 secondary windings; 230 V 50 Hz, pins 1-6

packing unit: 10 pcs

description	SEC [V]	SEC [mA]	pins	
STD.E048.016.1.008	8	1250	8-11	0,295 kg
STD.E048.016.1.012	12	833	8-11	0,295 kg
STD.E048.016.1.015	15	666	8-11	0,295 kg
STD.E048.016.1.018	18	555	8-11	0,295 kg
STD.E048.016.1.024	24	416	8-11	0,295 kg
STD.E048.016.2.006	2x6	2x833	7-8/11-12	0,295 kg
STD.E048.016.2.007	2x7,5	2x666	7-8/11-12	0,295 kg
STD.E048.016.2.009	2x9	2x555	7-8/11-12	0,295 kg
STD.E048.016.2.012	2x12	2x416	7-8/11-12	0,295 kg
STD.E048.016.2.015	2x15	2x333	7-8/11-12	0,295 kg
STD.E048.016.2.018	2x18	2x277	7-8/11-12	0,295 kg
STD.E048.016.2.024	2x24	2x208	7-8/11-12	0,295 kg
STD.E048.016.2.030	2x30	2x166	7-8/11-12	0,295 kg

**SAFETY TRANSFORMERS
FOR PRINT CIRCUIT BOARDS
TECHNICAL SPECIFICATIONS**

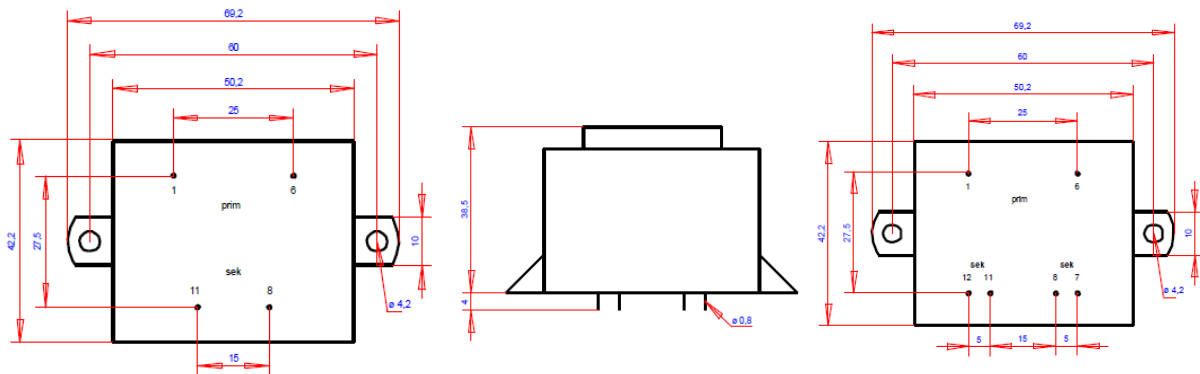
12 VA

- Ambient temperature $t_a = 70^\circ\text{C}$
- EN61558, VDE 0570
- vacuum potted
- inherently short circuit proof
- Primary voltage: 230 V/ 50 Hz

*If you wish any other voltages or taps please give us a call.
We prepare for you transformer according to your demand – even one single piece.*

Possibilities:

- thermal protection
- other voltages or taps
- other positions of pins



12 VA / 1 or 2 secondary windings; 230 V 50 Hz, pins 1-6

packing unit: 10 pcs

description	SEC [V]	SEC [mA]	pins	
STD.E048.020.1.008	8	1500	8-11	0,322 kg
STD.E048.020.1.012	12	1000	8-11	0,322 kg
STD.E048.020.1.015	15	800	8-11	0,322 kg
STD.E048.020.1.018	18	666	8-11	0,322 kg
STD.E048.020.1.024	24	500	8-11	0,322 kg
STD.E048.020.2.006	2x6	2x1000	7-8/11-12	0,322 kg
STD.E048.020.2.007	2x7,5	2x800	7-8/11-12	0,322 kg
STD.E048.020.2.009	2x9	2x666	7-8/11-12	0,322 kg
STD.E048.020.2.012	2x12	2x500	7-8/11-12	0,322 kg
STD.E048.020.2.015	2x15	2x400	7-8/11-12	0,322 kg
STD.E048.020.2.018	2x18	2x333	7-8/11-12	0,322 kg
STD.E048.020.2.024	2x24	2x250	7-8/11-12	0,322 kg
STD.E048.020.2.030	2x30	2x200	7-8/11-12	0,322 kg

**SAFETY TRANSFORMERS
FOR PRINT CIRCUIT BOARDS
TECHNICAL SPECIFICATIONS**

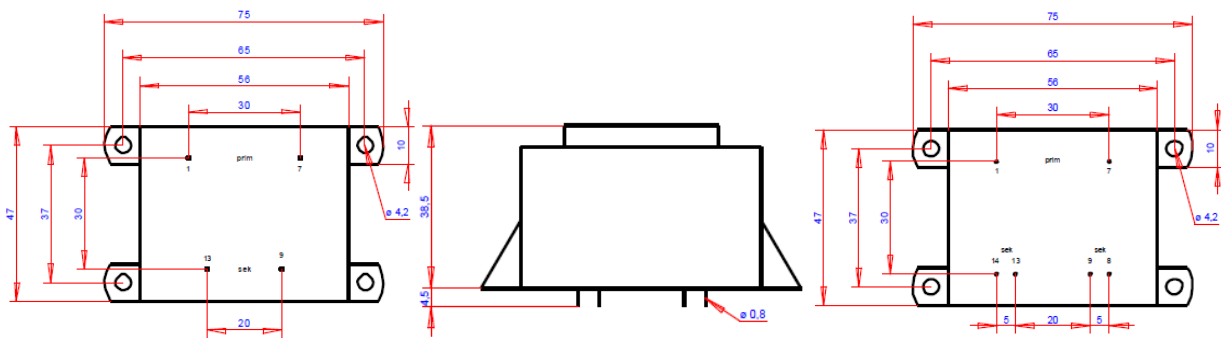
16 VA

- Ambient temperature $t_a = 40^\circ\text{C}$
- EN61558, VDE 0570
- vacuum potted
- inherently short circuit proof
- Primary voltage: 230 V/ 50 Hz

*If you wish any other voltages or taps please give us a call.
We prepare for you transformer according to your demand – even one single piece.*

Possibilities:

- thermal protection
- other voltages or taps
- other positions of pins



16 VA / 1 or 2 secondary windings; 230 V 50 Hz, pins 1-7

packing unit: 10 pcs

description		SEC [V]	SEC [mA]	pins	
STD.E054.018.1.008		8	2000	9-13	0,41 kg
STD.E054.018.1.012		12	1333	9-13	0,41 kg
STD.E054.018.1.015		15	1066	9-13	0,41 kg
STD.E054.018.1.018		18	888	9-13	0,41 kg
STD.E054.018.1.024		24	666	9-13	0,41 kg
STD.E054.018.2.006		2x6	2x1333	8-9/13-14	0,41 kg
STD.E054.018.2.007		2x7,5	2x1067	8-9/13-14	0,41 kg
STD.E054.018.2.009		2x9	2x888	8-9/13-14	0,41 kg
STD.E054.018.2.012		2x12	2x666	8-9/13-14	0,41 kg
STD.E054.018.2.015		2x15	2x533	8-9/13-14	0,41 kg
STD.E054.018.2.018		2x18	2x444	8-9/13-14	0,41 kg
STD.E054.018.2.024		2x24	2x333	8-9/13-14	0,41 kg

**SAFETY TRANSFORMERS
FOR PRINT CIRCUIT BOARDS
TECHNICAL SPECIFICATIONS**

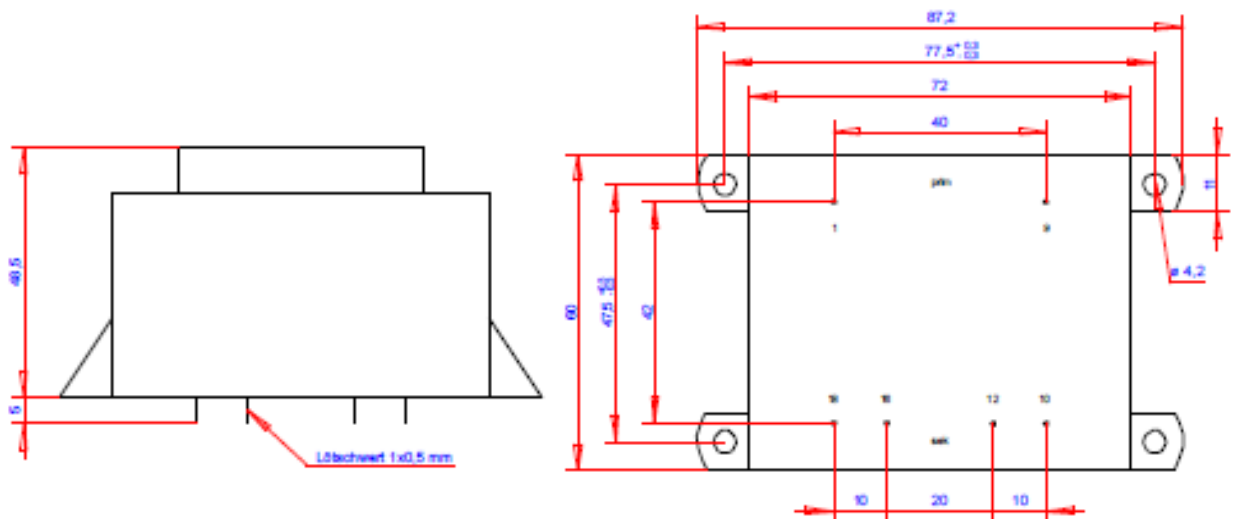
25 VA

- Ambient temperature $t_a = 60^\circ\text{C}$
- EN61558, VDE 0570
- vacuum potted
- inherently short circuit proof
- Primary voltage: 230 V/ 50 Hz

*If you wish any other voltages or taps please give us a call.
We prepare for you transformer according to your demand – even one single piece.*

Possibilities:

- thermal protection
- other voltages or taps
- other positions of pins



25 VA / 1 or 2 secondary windings; 230 V 50 Hz, pins 1-9

packing unit: 10 pcs

označení	SEC [V]	SEC [A]	piny	
STD.E066.023.1.006	6	4,17	12-16	0,76 kg
STD.E066.023.1.009	9	2,77	12-16	0,76 kg
STD.E066.023.1.012	12	2,08	12-16	0,76 kg
STD.E066.023.1.015	15	1,67	12-16	0,76 kg
STD.E066.023.1.018	18	1,39	12-16	0,76 kg
STD.E066.023.1.024	24	1,04	12-16	0,76 kg
STD.E066.023.2.006	2x6	2x2,08	10-12/16-18	0,76 kg
STD.E066.023.2.007	2x7,5	2x1,66	10-12/16-18	0,76 kg
STD.E066.023.2.009	2x9	2x1,39	10-12/16-18	0,76 kg
STD.E066.023.2.012	2x12	2x1,04	10-12/16-18	0,76 kg
STD.E066.023.2.015	2x15	2x0,83	10-12/16-18	0,76 kg
STD.E066.023.2.018	2x18	2x0,69	10-12/16-18	0,76 kg