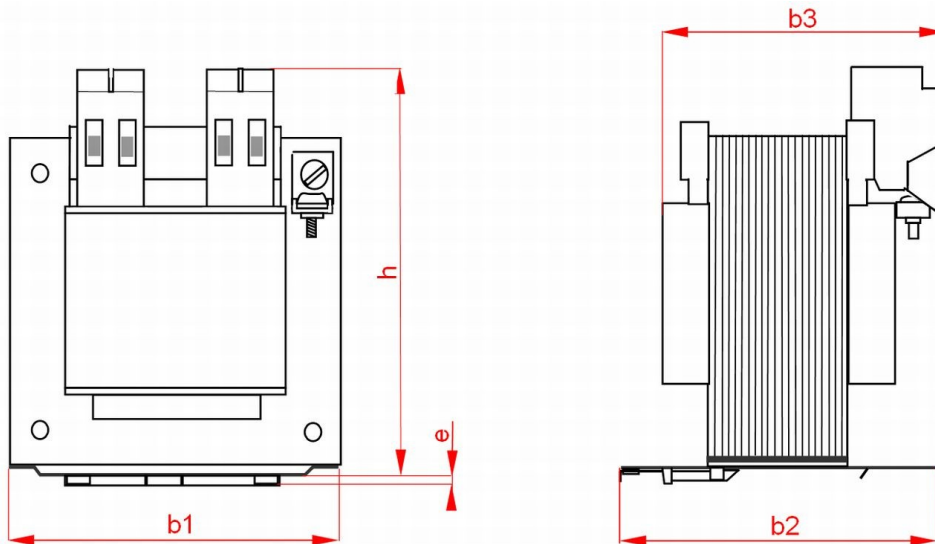
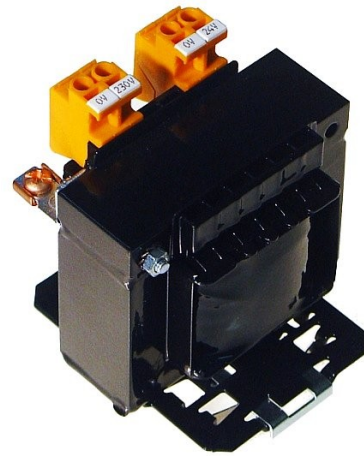


**SINGLE PHASE SAFETY AND ISOLATING PANEL TRANSFORMERS  
WITH TERMINALS, DIN RAIL MOUNTED, IMPREGNATED (PAINTED)  
TECHNICAL SPECIFICATION**

- Transformers for ambient temperature 40°C
- Insulating class B
- EN 61558-2-4, EN 61558-2-6
- Certified TÜV (Germany)
- Input: standard 400 V; 230 V/ 50 Hz or any other(s) on demand
- Output: standard 12 V; 24 V; 48V; 110 V; 230 V or any other(s) on demand

**ON DEMAND:**

- Input and output voltages up to 750 V
- Additional windings/taps
- thermal cut off
- current fuse in PRI or SEC circuit
- screen
- paint - red (RAL 3004) or black



	Power [VA]	b1	b2	b3	h	e
<b>EI54/18</b>	12	54	78	52	68	7
<b>EI66/23</b>	30	66	78	56	77	7
<b>EI78/27</b>	50	78	78	63	85	7
<b>EI78/36</b>	75	78	78	72	85	7
<b>EI84/43</b>	100	84	78	81	90	7
<b>EI96/35</b>	125	96	78	74	100	7
<b>EI96/59</b>	200	96	78	98	100	7