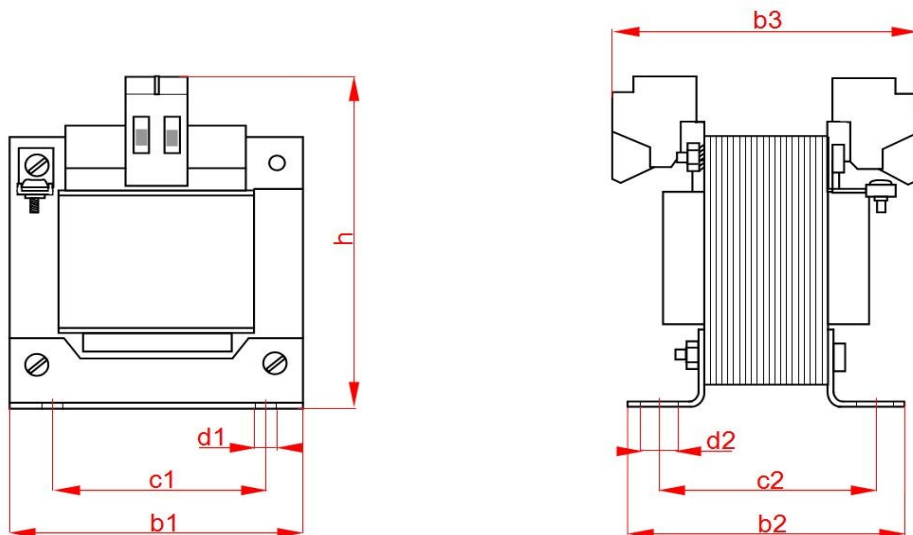


**SINGLE PHASE SAFETY AND ISOLATING PANEL TRANSFORMERS
WITH TERMINALS, IMPREGNATED (PAINTED)
TECHNICAL SPECIFICATION**

- Transformers for ambient temperature 40°C
- Insulating class B
- EN 61558-2-4, EN 61558-2-6
- Certified TÜV (Germany)
- Input: standard 400 V; 230 V/ 50 Hz or any other(s) on demand
- Output: standrd 12 V; 24 V; 48V; 110 V; 230 V or any other(s) on demand

ON DEMAND:

- Input and output voltages up to 750 V
- Additional windings/taps
- thermal cut off
- current fuse in PRI or SEC circuit
- screen
- paint - red (RAL 3004) or black



	Power [VA]	b1	b2	b3	h	c1	c2	d1	d2
EI54/18	12	55	45	66	72	44	34	3,6	7,0
EI66/23	30	66	53	67	78	50	41	4,8	9,0
EI78/27	50	78	58	70	86	56	45	4,8	9,0
EI78/36	75	78	66	79	86	56	54	4,8	9,0
EI84/43	100	84	73	96	94	64	61	4,8	9,0
EI96/35	125	96	77	81	100	84	61	5,8	11
EI96/59	200	96	100	105	100	84	85	5,8	11
EI120/41	240	120	86	88	118	90	71	5,8	11
EI120/53	320	120	98	100	118	90	83	5,8	11
EI120/73	460	120	118	120	118	90	103	5,8	11
EI150/49	500	150	104/130	122	153/168	122	84	7,0	13
EI150/66	700	150	121/147	139	153/168	122	101	7,0	13
EI150/92	1000	150	147/163	165	153/168	122	127	7,0	13